

130W Street Light 54 LED's

Description & Features

- Material case : aluminum painted in electrostatic field
- Disperser : Transparent polycarbonate protected UV
- Color case: standard: grey ,
- The street LED projector has a modern design, low energy consumption and emits an elliptical-asymmetric light beam..
- Designed and manufactured in Romania.
- Color rendering index: 80 for WN and WW and 70 for WH.
- Specially designed lenses.
- High power OSRAM LEDs with a lifetime of 50,000 hours.
- The light flow is min. 110 lm / W, whether is white neutral or cold white

Certificate

- CE, RoHs

Warranty

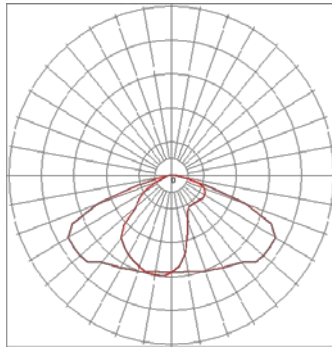
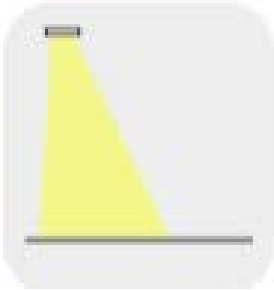
- 5 Years warranty

Specifications

Model No.:	130W Street Light 54 LED's
Power Consumption:	130W
Input Voltage:	90-230V
Operate Frequency:	50-60Hz
Lumens Output:	115-120LM/W
Led Brand	OSRAM
LED Type	SMD2835 OSLON
Color Temperature:	3000K, 4500K, 6000K,
CRI:	>80
Beam Angle:	170°
IP Rated:	IP66
Power Factor:	0.95
Total Harmonic Distortion:	<20%
Working Temp.:	-20°C ~ +40°C
Storage Temp.:	--30°C ~+ 50°C
Lifespan L70(H):	>50,000 Hours
Impact protection	IK10
Driver	Meanwell
Electrical insulation class	I

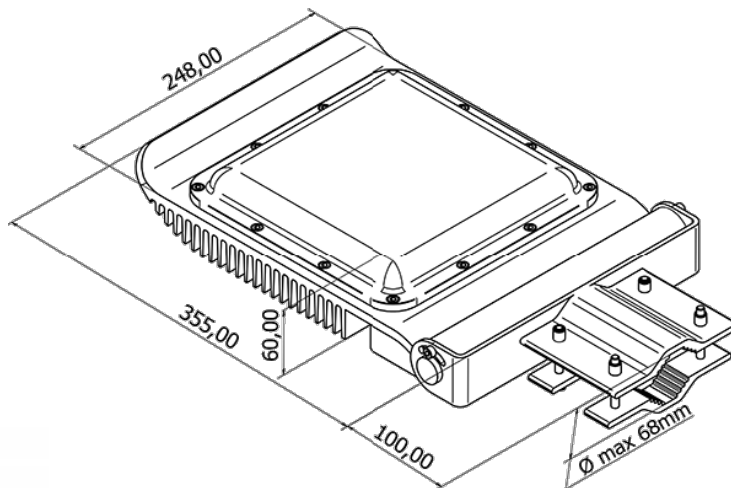


Street Focus (S)



Dimensions: 355x248x110mm

Weight: 6.60kg



Packing information

Item	Q'ty/CTN	Net W.	Gross W.	CTN Size
130W Street Light 54 LED's				

Warranty Policy

- Standard 5 years after purchase under normal usage